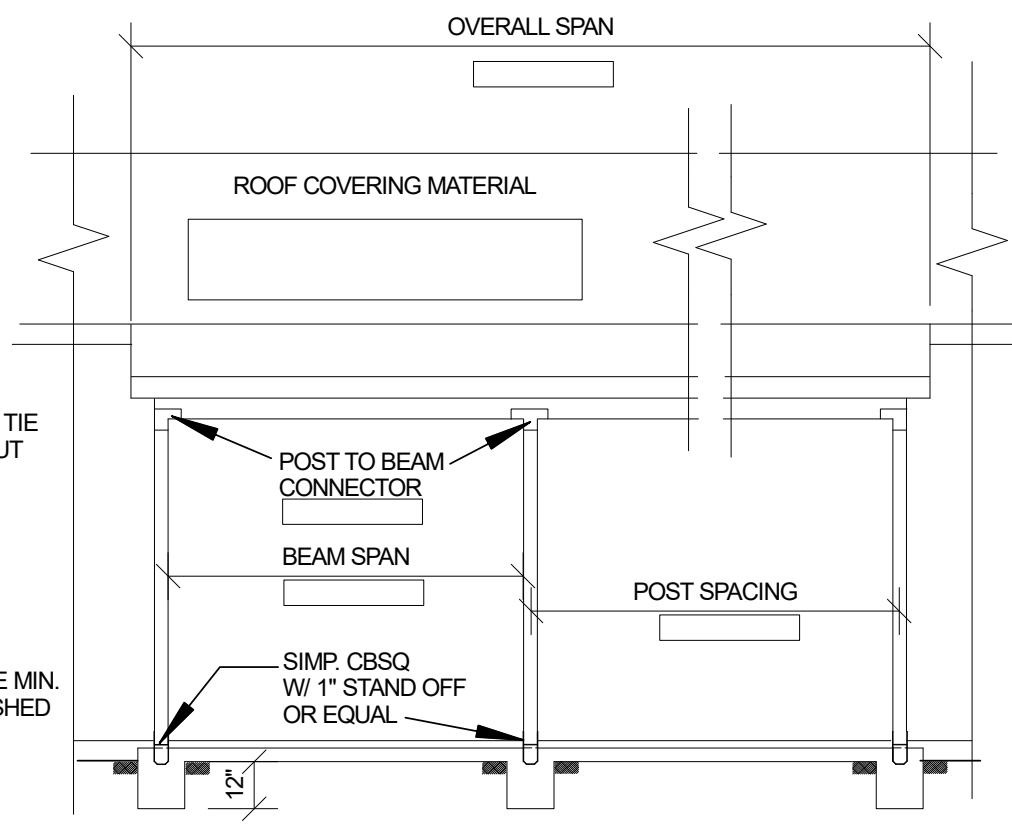
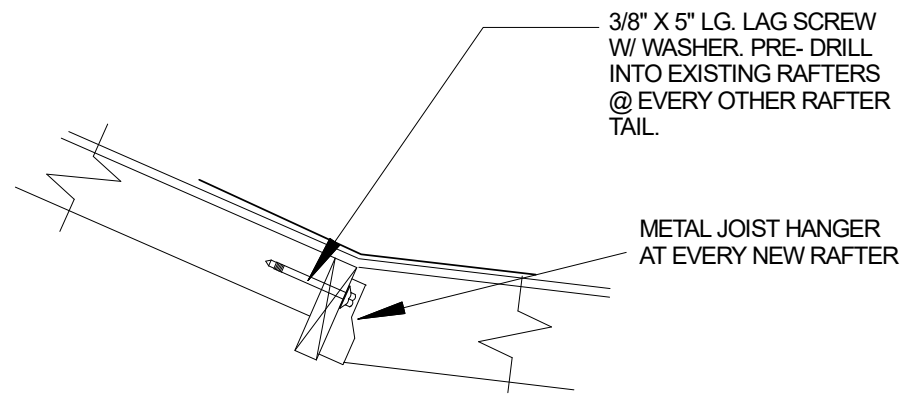


**SIDE VIEW**



**FRONT VIEW**



**DETAIL "A"**

PATIO RAFTER SPAN TABLE FOR DOUGLAS FIR NO. 2 OR BETTER ( ROOF LIVE LOAD 20 PSF, DEAD LOAD 20PSF)

SIZE	SPACING	PLASTIC OR LATTICE	COMPOSITION/ ROLL	TILE
2X4	12"	9'-10"	9'-10"	0
	16"	8'-6"	8'-6"	0
	24"	6'-11"	6'-11"	0
2X6	12"	14'-4"	14'-4"	12'-4"
	16"	12'-5"	12'-5"	10'-8"
	24"	10'-2"	10'-2"	8'-8"
2X8	12"	18'-2"	18'-2"	15'-7"
	16"	15'-9"	15'-9"	13'-6"
	24"	12'-10"	12'-10"	11'-10"
2X10	12"	22'-3"	22'-3"	19'-1"
	16"	19'-3"	19'-3"	16'-6"
	24"	15'-8"	15'-8"	13'-6"

BEAMS SHALL BE DOUGLAS FIR #2 OR BETTER

SIZE	SPACING	PLASTIC OR LATTICE	COMPOSITION/ ROLL	TILE
4X4	4'	4'	4'	4'
4X6	6'	6'	6'	5'
4X8	8'	8'	8'	7'
4X10	10'	10'	10'	9'
4X12	12'	12'	12'	11'
4X14	14'	14'	14'	ENGINEERING

BASED ON CRC, 2016 TABLE R802.5(1)

**INSTRUCTIONS**

1. FILL IN ALL INFORMATION BOXES.
2. PROVIDE TWO COPIES OF PLANS
3. CIRCLE THE APPROPRIATE RAFTER SIZES

**NOTE:**

1. NEW PATIO RAFTERS ATTACHED TO EXISTING HOUSE FACIA SHALL NOT EXCEED 10'-0" LONG. FACIA SHALL BE STRUCTURALLY SOUND AND SHALL NOT BE LONGER THAN 24" MAXIMUM.
2. TILE ROOF COVERING IS NOT ALLOWED TO ATTACH TO FACIA WITH OVERHANG LONGER THAN 12" MAXIMUM WITHOUT ENGINEERING.
3. COMPOSITION ROOF COVERING LIMITED TO A PITCH OF 2/12. 2 LAYERS OF 15# FELT IS REQUIRED.

PUBLIC WORKS  
 BUILDING DEPARTMENT  
 711 CINNAMON DRIVE  
 OFFICE # 559 924-6730  
 INSPECTION REQUEST 559 924-6732  
 REVISED 8-31-2015,  
 MAY 11, 2016

**CITY OF LEMOORE**  
 OPEN PATIO HANDOUT  
 PATIO ATTACHED TO FACIA