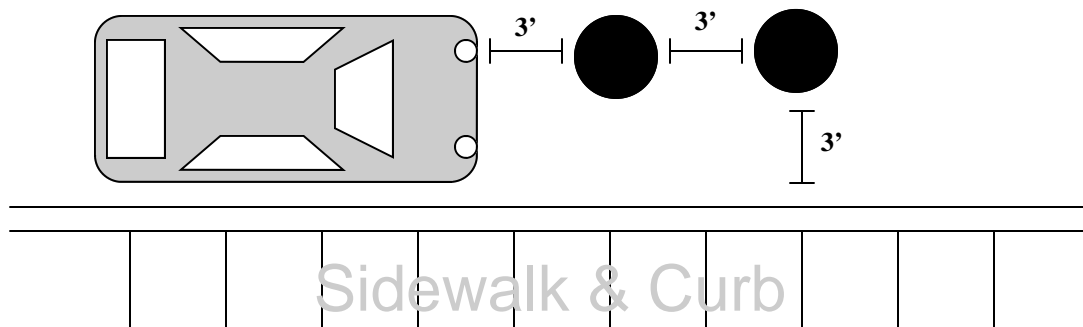


Refuse Service Information

- **CANS MUST BE APPROXIMATELY 3 FT. FROM THE CURB** (to allow for water to flow behind cans and to accommodate parked vehicles)
- **CANS MUST BE APPROXIMATELY 3 FT. FROM OTHER CANS, CARS, AND OTHER OBJECTS** (to allow for the automated arm to extend without hitting other cans, cars, or other objects)
- **CANS MUST BE PLACED AT CURB THE NIGHT BEFORE YOUR PICKUP DAY.**

PORTABLE BASKETBALL GOALS AND CARS SHOULD BE REMOVED FROM THE STREET ON PICKUP DAYS.



REMEMBER! REMOVE EMPTY CONTAINERS FROM THE CURB OR ALLEY ON YOUR SCHEDULED COLLECTION DAY TO AVOID INFRACTION.
(Municipal Code Title 4-1-4C & 4-1-11)

Important Contact Information

Refuse Department: 559-924-6744/Ext.744

Billing Questions: 559-924-6744/Ext.715

www.lemoore.com refuse@lemoore.com

